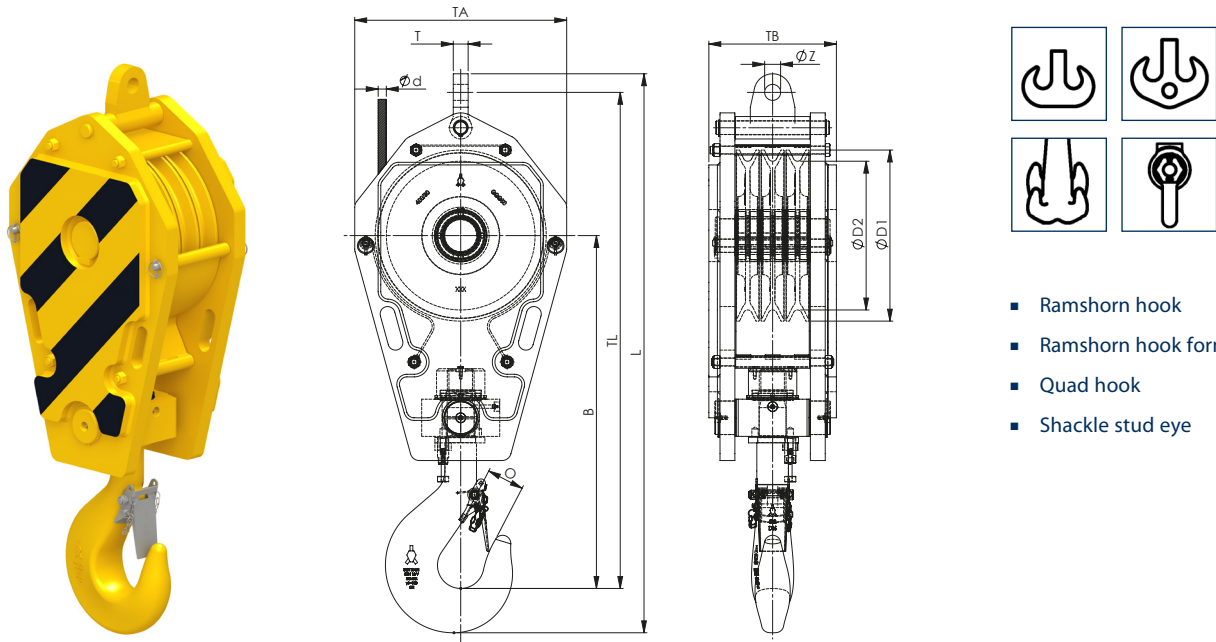


<< FAST REEVE CRANE BLOCKS

3 SHEAVES



- Ramshorn hook
- Ramshorn hook form B
- Quad hook
- Shackle stud eye

Model Nr.	WLL (Mtons)	For wire ød (mm)	Hook size	Dimensions (mm)										Weight (kg)
				øD1	øD2	B	O	TA	TB	TL	L	T	øZ	
FRB 450.22.3.63.E	63	22	16	515	450	1038	97	600	303	1448	1630	40	43	600
FRB 450.24.3.63.E.A	63	24	16	515	450	1038	97	600	313	1454	1646	45	52	650
FRB 450.24.3.63.E.B	63	24	16	515	450	1038	97	600	363	1454	1646	45	52	770
FRB 450.26.3.63.E.A	63	26	16	515	450	1038	97	600	313	1461	1653	45	52	650
FRB 450.26.3.63.E.B	63	26	16	515	450	1038	97	600	363	1461	1653	45	52	770
FRB 450.26.3.80.E	80	26	20	515	450	1182	110	600	362	1605	1815	45	52	810
FRB 528.24.3.80.E	80	24	20	595	528	1272	110	710	412	1736	1946	45	52	1130
FRB 528.26.3.80.E	80	26	20	595	528	1272	110	710	412	1736	1946	45	52	1130
FRB 528.26.3.100.E	100	26	25	595	528	1363	132	710	462	1826	2056	45	52	1360
FRB 528.28.3.80.E	80	28	20	595	528	1272	110	710	412	1751	1971	50	59	1130
FRB 528.28.3.100.E	100	28	25	595	528	1363	132	710	462	1841	2081	50	59	1360
FRB 575.28.3.100.E	100	28	25	650	575	1303	132	770	432	1808	2048	50	59	1360
FRB 670.28.3.125.E	125	28	25	760	670	1428	132	870	622	1993	2233	50	59	2900
FRB 670.32.3.125.E	125	32	25	760	670	1428	132	870	622	1993	2238	60	66	2900

Minimum Ultimate Strength = 4 x WLL

- The dimensions in this table are indicative only. A drawing will always be submitted prior to production and will be the leading document when discussing dimensions.
- Blocks shown here are standard models; inquiries for custom versions are welcome.
- Refer to wire rope manufacturers D/d ratio guideline.
- Optional: Hook locking pin.



SEE OUR WARNING & SAFETY INFORMATION